

# Data sheet

## SP049xxVBNC ASP049

Page 1/5

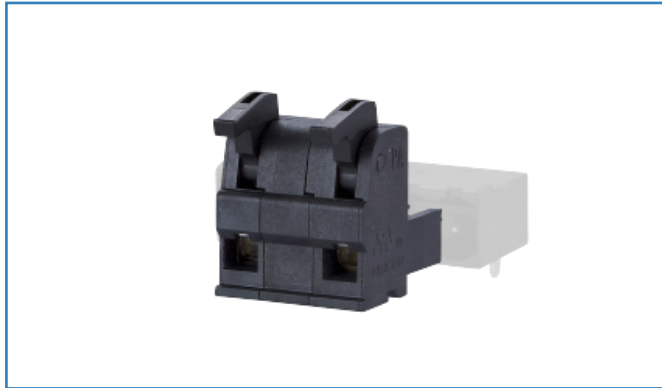
P/N  
ASP049xx

xx=number of poles

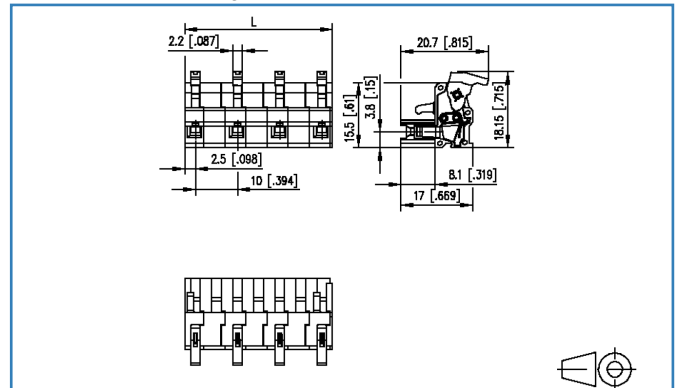
2019/10/30

Version: Q

### Illustrations



Dimensional drawing



See enlarged drawings at the end of document

### Product specification

- spring clamp terminal block, pluggable
- centerline 10.00 mm, direction of connection vertical 0°
- fittable without loss of poles
- color black
- eccentric lever, wire entry uncodeable side parallel to plug direction



## Technical Data



### General Data

min. number of poles	2		
max. number of poles	12		
Insulating material class	CTI 400		
clearance/creepage dist.	9 mm		
protection category	IP20		
Min. insul. strip length	4 mm		
Overvoltage category	III	III	II
Pollution degree	3	2	2
Rated voltage	32 V	200 V	200 V
Rated test voltage	1.5 kV	1.5 kV	1.5 kV

### Connection Data

rat.wiring solid AWGmax	0.08 mm <sup>2</sup> - 1.5 mm <sup>2</sup> / AWG 28 - AWG 16		
rat.wiring strand.AWGmax	0.08 mm <sup>2</sup> - 1 mm <sup>2</sup> / AWG 28 - AWG 16		

### Approvals

 V / A / AWG	300 / 8 / 28 - 16		
approval UL - File No.	E121004		
 1 mm <sup>2</sup>	630 V / 6 kV / 10 A		

### Material

insulating material	PA46
flammability class	V0
spring material	Spring steel
contact material	CuSn
contact surface	Sn
Glow-Wire Flammability GWFI	-
Glow-Wire Flammability GWIT	-

### Climatic Data

upper limit temperature	105 °C
lower limit temperature	-40 °C

### General

Tolerance	ISO 2768 -mH
-----------	--------------

## Accessories

P/N	Designation
700025-01-9	700025

© 2019 METZ CONNECT - Technische Änderungen vorbehalten! Subject to modifications! Sous réserve de modifications techniques!



## Counterpart

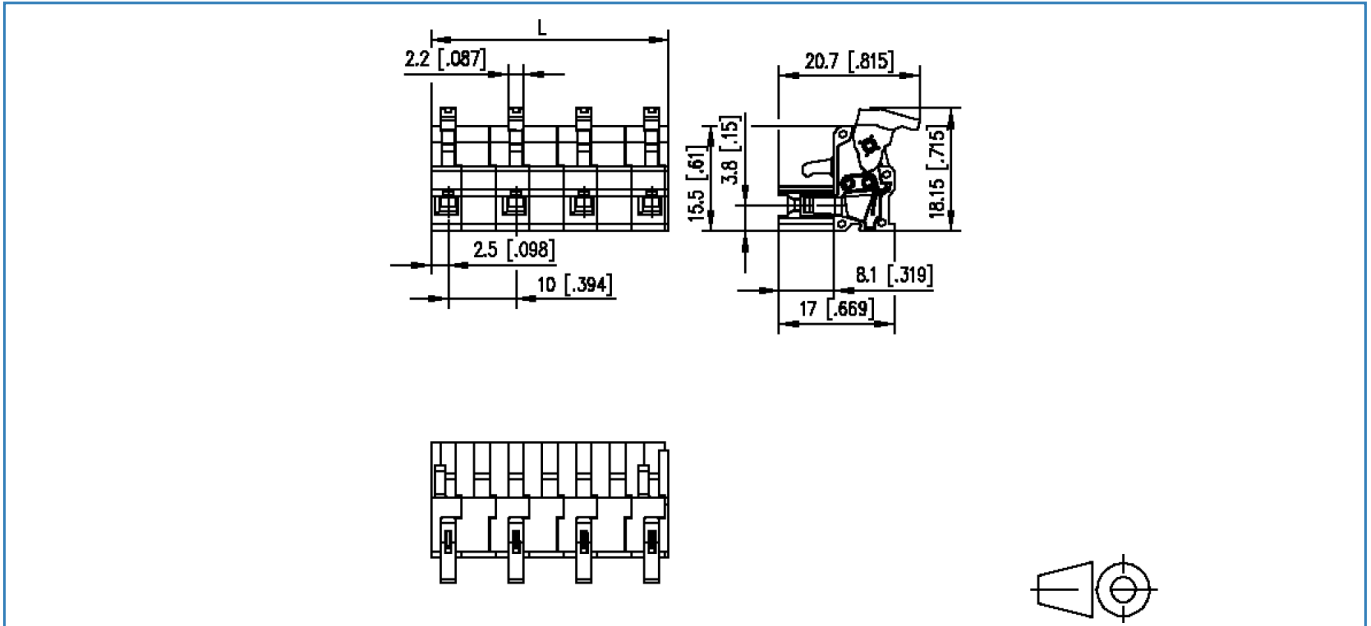
P/N	Designation
311762	PR069xxHBBN Typ 176
311772	PR069xxVBBN Typ 177
313192	PT119xxVBEC Typ 319
313202	PT119xxVBBN Typ 320
313302	PT119xxHBBN Typ 330

© 2019 METZ CONNECT - Technische Änderungen vorbehalten! Subject to modifications! Sous réserve de modifications techniques!



**Illustrations**

Dimensional drawing



$L = (\text{pole size} - 1) \times \text{centerline} + 5 \text{ mm}$  [0.197]

© 2019 METZ CONNECT - Technische Änderungen vorbehalten! Subject to modifications! Sous réserve de modifications techniques!